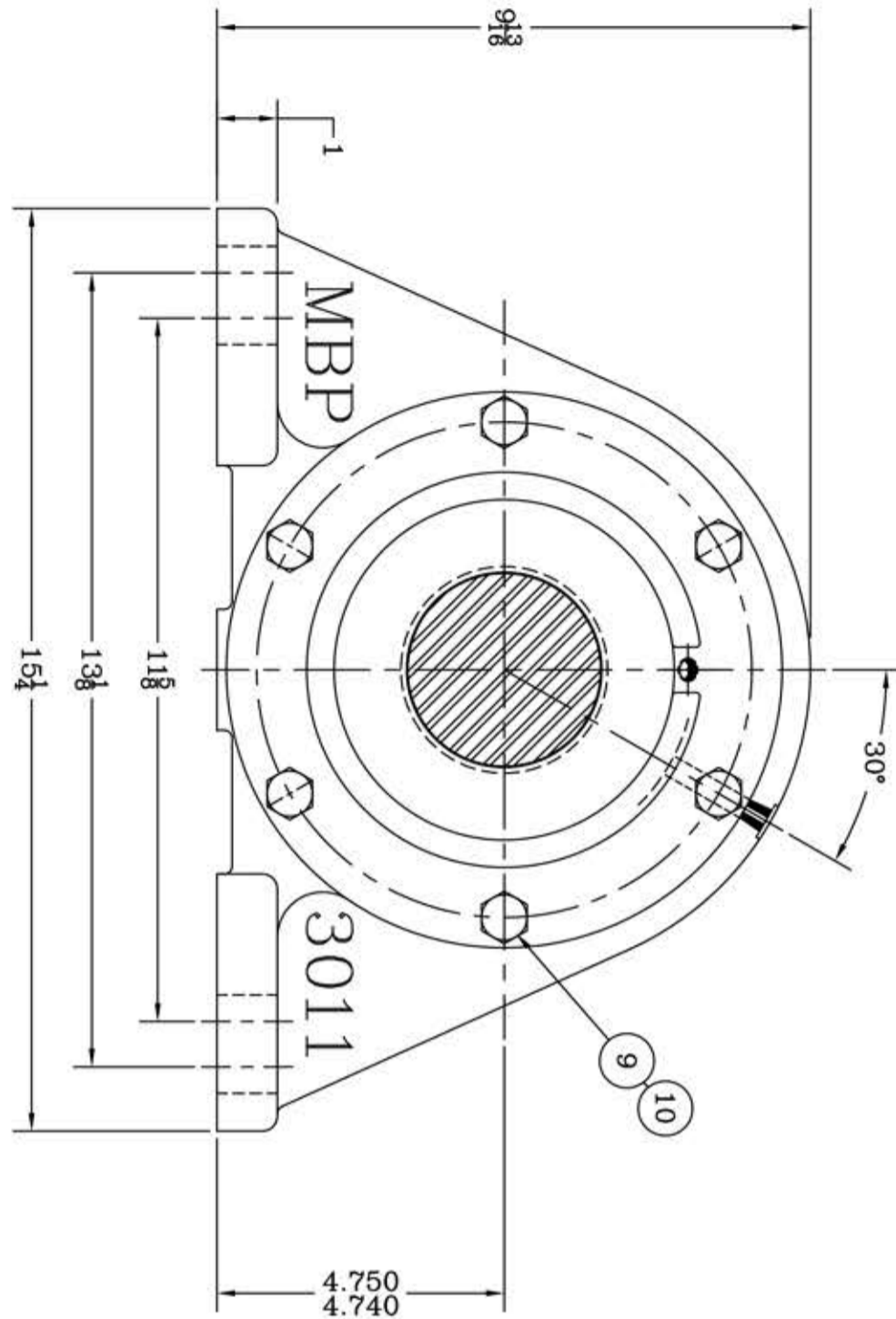
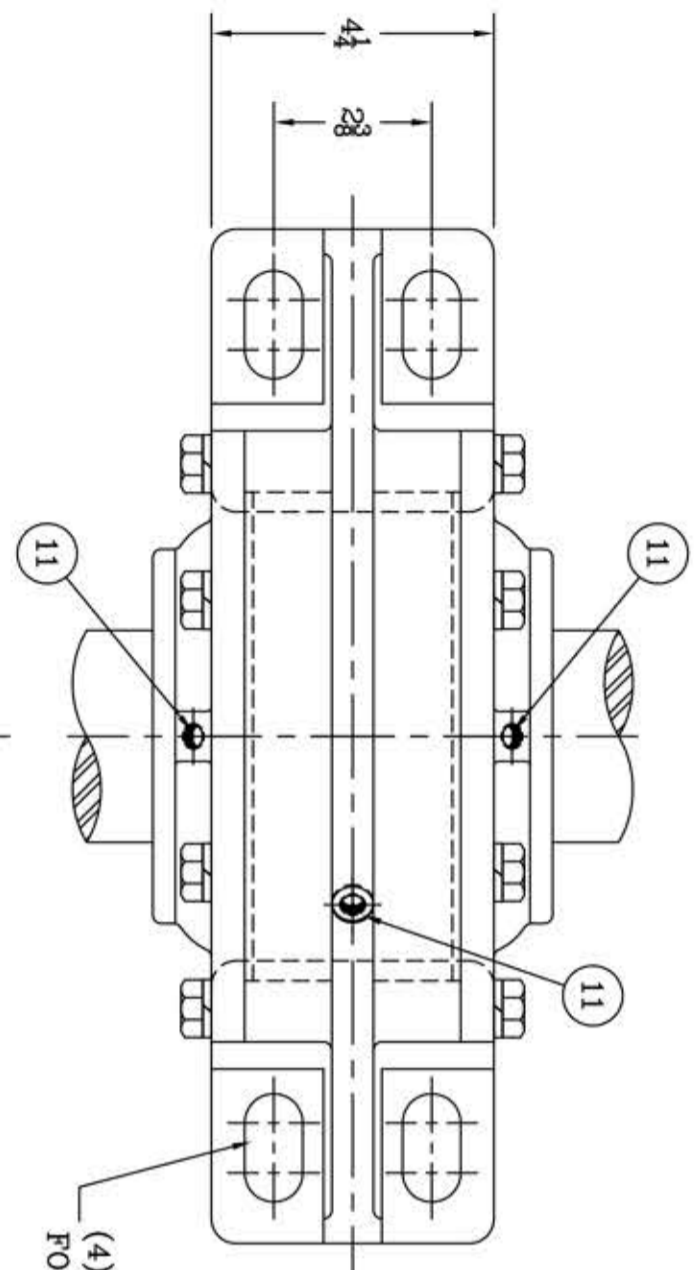
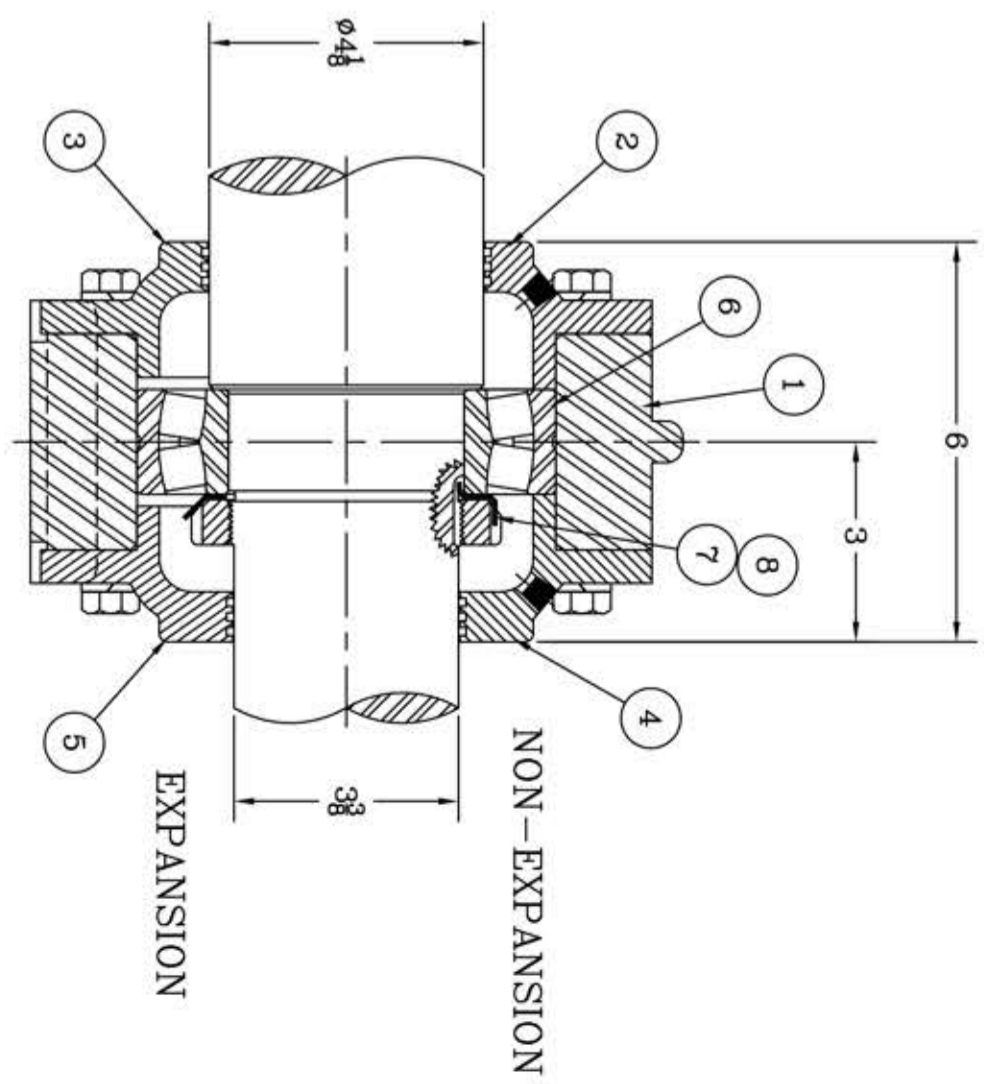


This drawing is the sole property of Miether Bearing Products and contains confidential and proprietary information. It is being provided to you for your use and may not be disclosed to any third party or used for any other purpose without Miether's prior written consent. The [materials] must be returned to the Company upon its demand. Your acceptance of these materials constitutes your acceptance of the foregoing terms.

C-14661



ITEM	DESCRIPTION	DETAIL	REQUIRED
			NEL EL
1	HOUSING M3011	C-22166	1 1
2	END CAP F3184	C-22522	1 0
3	END CAP F3185	C-22522	0 1
4	END CAP F3182	C-22516	1 0
5	END CAP F3183	C-22516	0 1
6	SPHERICAL ROLLER BEARING	22218/W-33	1 1
7	LOCKNUT AN-18	B-10783	1 1
8	LOCKWASHER W-18	00243	1 1
9	CAP BOLT HEX. HEAD	1/2-13 NC x 1 1/2 LONG	12 12
10	LOCKWASHER	1/2 SPLIT MED.	12 12
11	PIPE PLUG	1/2 NPT	3 3



REDRAWN ON COMPUTER by RWB 3-19-03

REVISIONS

SYMBOL	DESCRIPTION
C	CASTING
D	WELD
E	ANGLE
F	FINISH
G	FINISH
J	FINISH
K	FINISH

AN ALCO INDUSTRIES COMPANY
BEARING PRODUCTS
ODESSA, TX. USA

MMW 22218 04-02 x 03-06	ASSEMBLY DRAWING
SCALE HALF	ASSEMBLY NO.
DRAWN CJ	DRAWING NO.
DATE 12-8-70	C-14661
CHK:	